



Features

- ◆ Intel® Kabylake Platform Processors
- ◆ 2 x SO-DIMM DDR3L-1600MHz, Up to 32GB
- ◆ 2 x DP, 1 x HDMI
- ◆ 1 x 2.5" SATA, 1 x mSATA
- ◆ 2 x USB3.0, 2 x USB2.0, 1 x RS232
- ◆ 1 x RJ45, 1 x Mini-PCle for WiFi/BT/3G/4G, 1 x SIM Slot

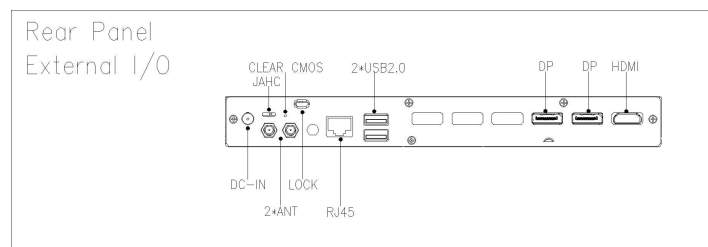
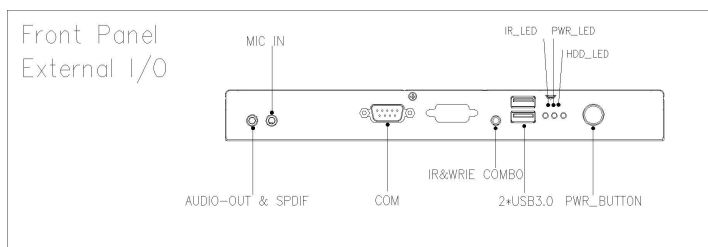
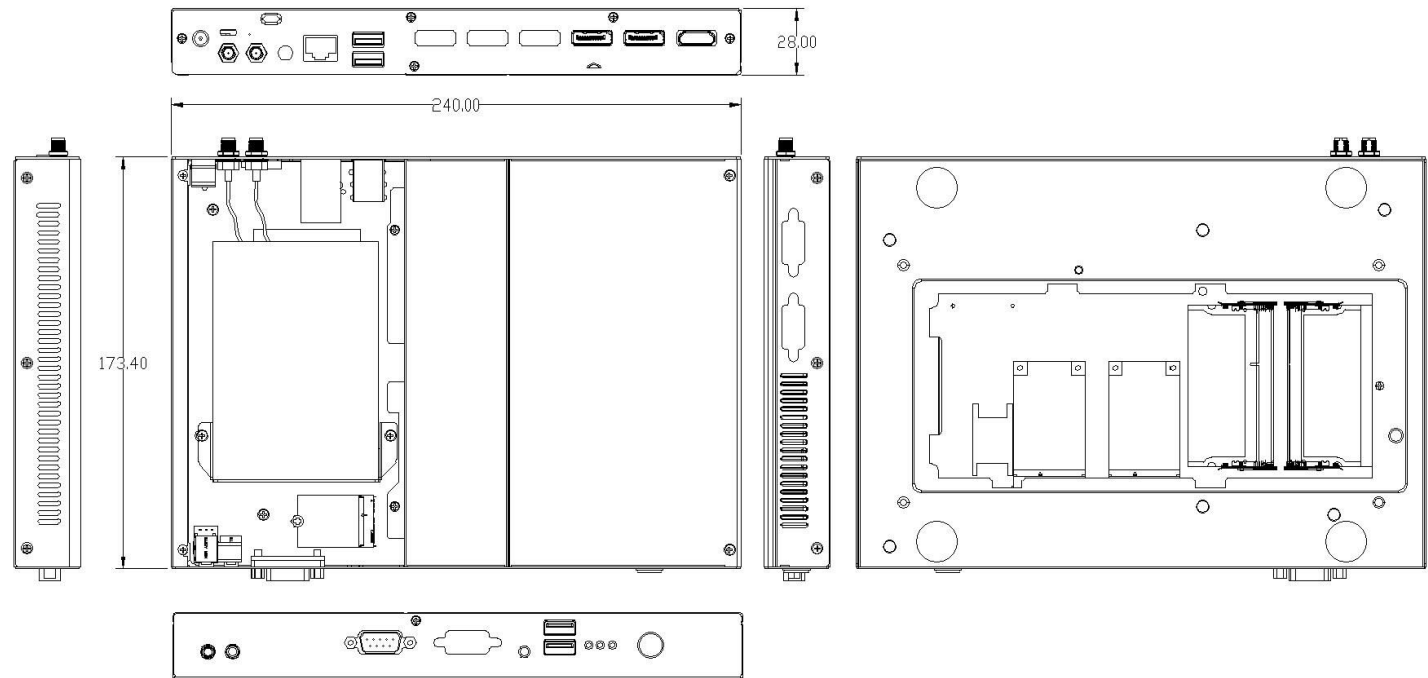
Specifications

RoHS CE FC



| | | G367-G1-7100U30M0G | G367-G1-7200U30M0G | G367-G1-4415U30M0G |
|------------------|-------------------|---|----------------------------|----------------------|
| Processor | CPU | Intel® Core i3-7100U | Intel® Core i5-7200U | Intel® Pentium 4415U |
| | Frequency | 2.40 GHz | 2.50 GHz (Up to 3.10 GHz) | 2.30 GHz |
| | BIOS | AMI Source Code | | |
| | Chipset | SOC | | |
| Memory | Type | DDR3L-1600MHz | | |
| | Socket | 2 x SO-DIMM | | |
| | Max Size | 32GB | | |
| Graphics | GPU | NVIDIA GT730, SDDR3 2GB | | |
| | Graphic Engine | DirectX12, OpenGL4.4 and OpenCL 1.2 | | |
| | HDMI | 1 x HDMI (Max. 4096 x 2304 @24Hz) | | |
| | DP | 2 x DP (Max. 4096 x 2304 @60Hz) | | |
| Network | Controller | Realtek RTL8111H Gigabit Ethernet | | |
| | Interface | 1 x RJ45 | | |
| I/O | USB | 2 x USB 3.0, 2 x USB2.0 | | |
| | Display Interface | 2 x DP1.2, 1 x HDMI1.4b | | |
| | LAN | 1 x RJ45 | | |
| | Serial Port | 1 x RS232 | | |
| | Audio | 1 x MIC-IN, 1 x AUDIO-OUT & SPDIF | | |
| | Mini-PCle1# | 1 x Full-size Mini-PCle for mSATA | | |
| | Mini-PCle2# | 1 x Full-size Mini-PCle for WiFi/BT/3G/4G | | |
| | M.2(2230) | 1 x M.2 (2230) for WiFi/BT | | |
| | SIM | 1 x SIM Slot | | |
| Storage | LED Indicators | 1 x HDD LED, 1 x Power LED | | |
| | SATA | 1 x 2.5" SATA | | |
| JAHC Tech | mSATA | 1 x Full-size mSATA | | |
| | WatchDog Timer | 0~255 Second Time Out Support | | |
| | Auto Power On | Power Activated Automatically Start | | |
| | RTC | Set Up Independently Every day, A Week as a Cycle | | |
| Operation System | Remote Control | By IR Controller for Power On | | |
| | Windows | Windows 10 (64-bit) | | |
| | Linux | Supported | | |

| | | G367-G1-7100U30M0G | G367-G1-7200U30M0G | G367-G1-4415U30M0G |
|---------------|------------------------|--|--------------------|--------------------|
| Power | Power Type | DC-IN | | |
| | Input Voltage | 12V/19V | | |
| Mechanical | Dimensions (W x D x H) | 240mm x 175mm x 28 mm | | |
| | Construction | Metal | | |
| | Mounting (Optional) | Wall Mounting and VESA Mounting (JZ300) | | |
| | Color | Black | | |
| Environment | Operating Temperature | 0°C ~ 40°C (32 °F ~ 104 °F) at 0.7m/s Air Flow | | |
| | Relative Humidity | 95% @ 60°C (non-condensing) | | |
| Certification | Certification | CE, FCC Class B, CCC | | |



Order Information

| Part Number | Intel CPU | RAM | DP | HDMI | RS232 | GbE | USB | Audio | mSATA |
|--------------------|---------------|------------------------------|----|------|-------|-----|----------------------------|-------------------------------------|-------|
| G367-G1-7100U30M0G | Core i3-7100U | 2 x SO-DIMM DDR3L Up to 32GB | 2 | 1 | 1 | 1 | 2 x USB 3.0 2 x USB 2.0 | 1 x MIC-IN 1 x AUDIO-OUT & SPDIF | 1 |
| G367-G1-7200U30M0G | Core i5-7200U | | | | | | | | |
| G367-G1-4415U30M0G | Pentium 4415U | | | | | | | | |

Packing List

| Part Number | Description | Part Number | Description |
|-------------|--------------------|-------------|----------------------|
| - | 1 x G367 | - | 1 x Drive Disk |
| - | 1 x User Manual | - | 1 x AC Power Adapter |
| - | 1 x AC Power Cable | - | 2 x WiFi Antenna |